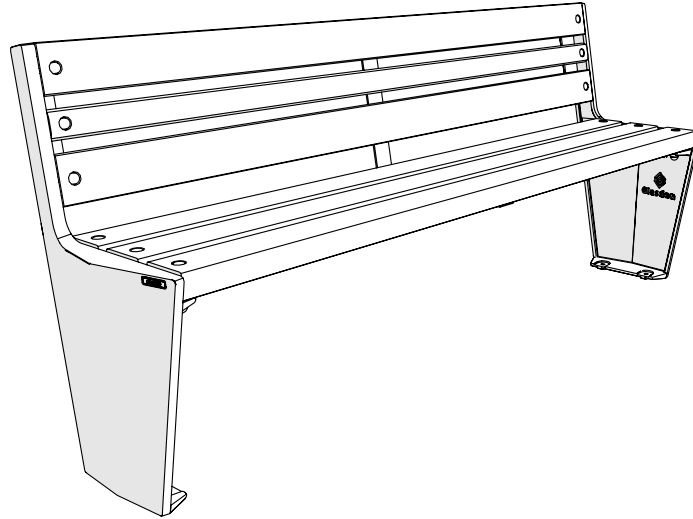




# VISTRA™ SEAT

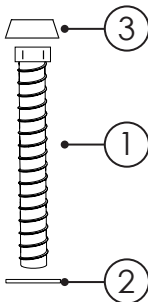
## INSTALLATION INSTRUCTIONS

**IMPORTANT NOTE:** ENSURE THAT ALL RELEVANT PERSONNEL READ THESE INSTRUCTIONS PRIOR TO USE



### CONCRETE/PAVING FIXING KIT CONTENTS

- |   |    |
|---|----|
| ITEM 1 - Self Tapping Anchor Bolt (M10 x 100mm) | x4 |
| ITEM 2 - Washer (M10 x 28mm)                    | x4 |
| ITEM 3 - Tamper Resistant Cover Caps            | x4 |



### TOOLS/EQUIPMENT REQUIRED:

- High Impact Drill
- 10mm Masonry Drill Bit
- 17mm Socket
- Socket Wrench or Torque Wrench
- Spiral Brush or Air Blower (optional)
- Hammer

### ADJUSTABLE DEPTH CONCRETE-IN FIXING KIT CONTENTS

- |  |    |
|--|----|
| ITEM 1 - Self Tapping Anchor Bolt (M10 x 80mm) | x4 |
| ITEM 2 - Washer (M10 x 24mm)                   | x4 |
| ITEM 3 - Tamper-Resistant Cover Caps           | x4 |

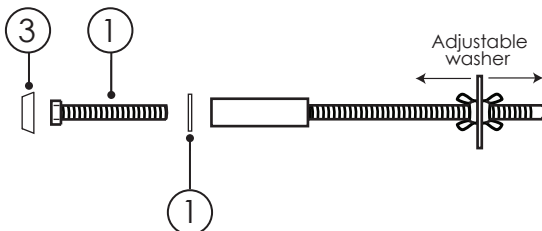


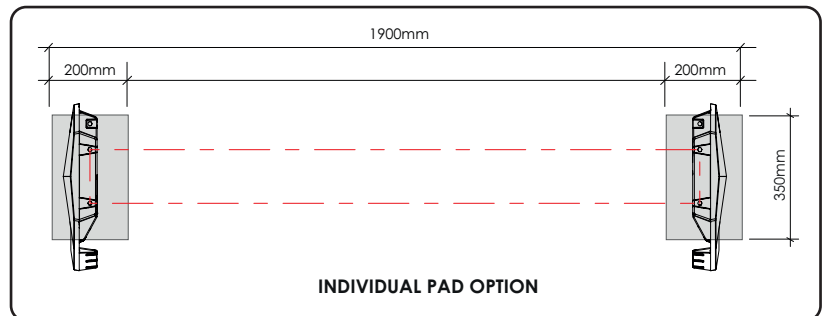
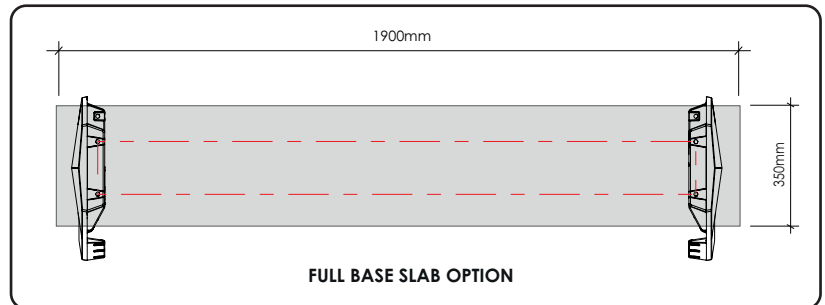
DIAGRAM NOT TO SCALE

## INSTRUCTIONS FOR NEW CONCRETE FOUNDATION

### MINIMUM BASE REQUIREMENTS :

If no suitable existing base, then base to be sized as per drawing illustrations below x 200mm thick concrete onto well consolidated hardcore when using the 100mm Concrete Self-Tapping Ground Fixings.

When installing using Adjustable Depth Concrete-In Anchors a 330mm thick concrete slab should be provided to install the seat into. Base to be smooth (float finish), flat level and square and preferably flush with surrounding ground level.

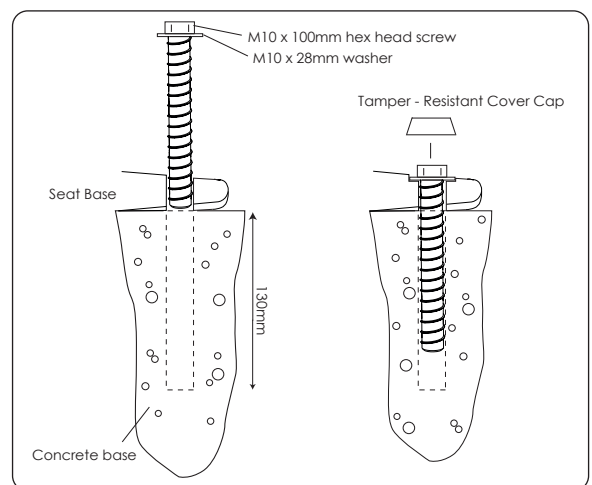


## INSTRUCTIONS FOR CONCRETE FIXING KIT (INTO PREPARED CONCRETE FOUNDATION)

**DISTANCE FROM THE EDGE OF FOUNDATION TO CENTRE OF GROUND BOLT TO BE NO LESS THAN 100MM.**

**Note:** Concrete fixing kit and tamper-resistant caps are supplied as standard with every seat.  
An installation video is available online showing the steps shown below.

1. Place seat in desired position onto the concrete foundation and mark all four hole positions through seat ends with a drill tip or pen. Ensure 100mm minimum distance is maintained from the edge of the concrete.
2. Remove the seat and drill marked holes to a depth of 130mm using a 10mm diameter masonry drill.
3. Ensure holes are free from any obstructions and debris caused by drilling.
4. Ensure washers are in position at the top of the bolts supplied.
5. Tighten the fixings with 17mm socket until tight (maximum recommended torque setting is 60Nm).



6. Place one Tamper-Resistant Cover Cap over each fixing head. Use a hammer to tap the caps firmly into place. We would recommend placing a piece of cardboard (or similar) between the fixing and the seat end to minimise the risk of damaging the seat coating when hammering.

Ensure that a washer is used beneath the head of each fixing - otherwise removal at a later date will be impossible. To remove, prise the cover caps off with a large flat-headed screw driver.

## INSTRUCTIONS FOR PAVING FIXING KIT (INTO PRE-LAID CONCRETE PAVING SLABS)

**DISTANCE FROM THE EDGE OF PAVING SLAB TO CENTRE OF GROUND BOLT TO BE NO LESS THAN 100MM.**

1. Place seat in desired position onto the paved area. Glasdon recommend each seat end is installed so that it bridges two paving slabs, ensuring 100mm minimum distance is maintained from any edge of a slab to the centre of fixing points. Mark fixing positions through both seat ends with a drill tip or pen.

2. Remove the seat and drill marked holes through paving slabs at all four points using a 10mm diameter masonry drill.

3. Ensure holes are free from any obstructions and debris caused by drilling.

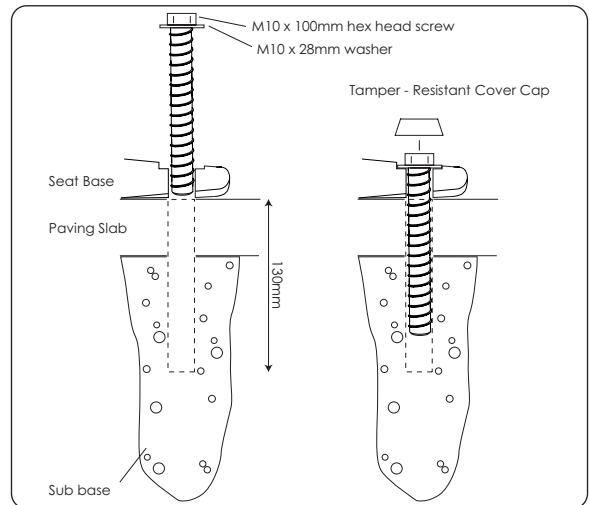
4. Ensure the washers are in position at the top of the bolts supplied.

5. Reposition seat so that base holes are aligned with drilled holes and insert all four fixings.

6. Tighten the fixings with 17mm socket until tight (maximum recommended torque setting is 60Nm).

7. Place one Tamper-Resistant Cover Cap over each fixing head. Use a hammer to tap the caps firmly into place. We would recommend placing a piece of cardboard (or similar) between the fixing and the seat end to minimise the risk of damaging the seat coating when hammering.

Ensure that a washer is used beneath the head of each fixing - otherwise removal at a later date will be impossible. To remove, prise the cover caps off with a large flat-headed screw driver.



## INSTRUCTIONS FOR ADJUSTABLE DEPTH CONCRETE IN ANCHORS (FOR CASTING INTO NEW CONCRETE FOUNDATIONS)

**DISTANCE FROM THE EDGE OF CONCRETE FOUNDATION TO CENTRE OF GROUND ANCHORS TO BE NO LESS THAN 100MM.**

**WARNING: Check for buried services.**

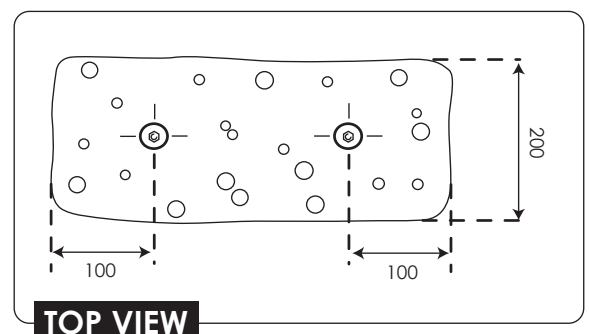
During the installation please be safe. Where necessary sign and guard your works safely with reference to New Road & Streetworks Act 1991 and the Traffic Signs Regulations and General Directions.

**SAFETY NOTE:** We would recommend carrying out a health and safety risk assessment prior to the installation of this product.

1. Site the product and mark out a minimum area around the seat fixing points as shown in the **TOP VIEW**.

2. Remove the product.

3. Dig holes at the two areas marked in (1) to an approximate depth of 300mm as shown in the **SECTIONAL VIEW (NEXT PAGE)**.



## CONTINUED

4. If the required depth cannot be achieved, then the depth of the fixing can be changed to suit by moving the washer along the threaded bar. Secure the washer by adjusting the wing nuts, and then cut off the excess from the threaded bar. **NOTE:** The volume of concrete per fixing should be maintained by increasing the width or length of the hole.

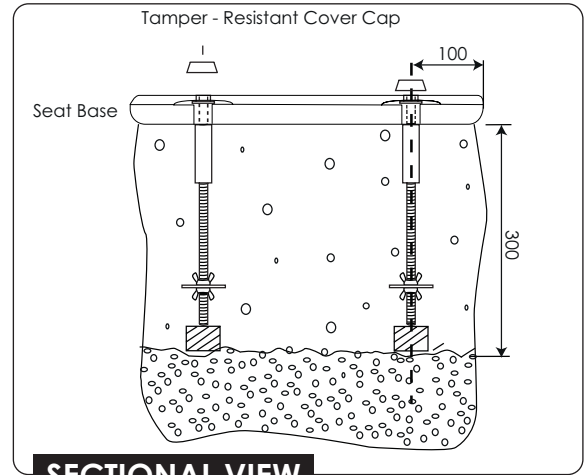
5. Bolt the ground anchors to the product as shown in the **SECTIONAL** and **EXPLODED VIEWS**.

6. We would recommend the use of sand/aggregate/blocks in the base of the excavated holes to allow the product to be positioned at the correct height.

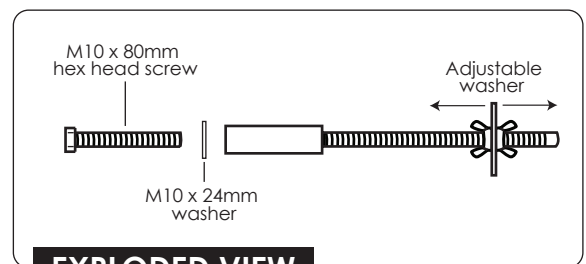
7. Lower the product into the excavated holes. **SAFETY NOTE:** Due to the weight of the product we would recommend either a two to four man lift (dependent upon the product) or a mechanical lifting aid.

8. Using a spirit level ensure the product is horizontally level and positioned at the correct height.

9. With the product in position, pour the concrete mix into the holes as shown and allow to set. (We would recommend the use of quick setting concrete e.g. grade QC10).



**SECTIONAL VIEW**



**EXPLODED VIEW**

**IMPORTANT NOTE:** PLEASE ENSURE THAT ALL RELEVANT PERSONNEL READ THE POINTS LISTED WITHIN THIS LEAFLET AND THAT A COPY IS GIVEN TO STAFF INVOLVED WITH THE INSTALLATION AND MAINTENANCE OF THIS PRODUCT.

**SAFETY NOTE:** PLEASE REFER TO 'THE MANUAL HANDLING OPERATIONS REGULATIONS 1992' DURING HANDLING.

 **Glasdon** AND VISTRA ARE TRADEMARKS OR REGISTERED TRADEMARKS OF GLASDON GROUP OR ITS SUBSIDIARIES IN THE U.K. AND OTHER COUNTRIES

- A planned maintenance schedule or regular inspection is recommended, replacing components as necessary.
- Replacement components are available direct from GLASDON.
- GLASDON cannot be held responsible for claims arising from incorrect installation, unauthorised modifications or misuse of the product.

Stock No. C000/1041 - DWG No. 09B049-08 Issue 2 - DEC 24.

© Copyright 04/22

Glasdon UK Ltd reserve the right to alter specifications without prior notice.

 **Glasdon**<sup>®</sup>

**Glasdon U.K. Limited**  
Preston New Road  
BLACKPOOL  
Lancashire  
FY4 4UL

Tel: (01253) 600410  
Fax: (01253) 792558  
e-mail: sales@glasdon-uk.co.uk  
web: www.glasdon.com